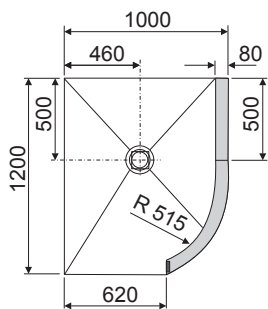
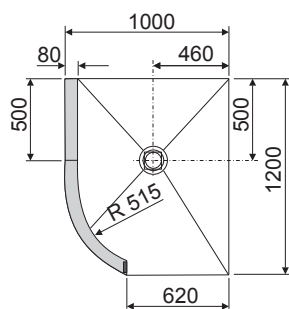


EBA 40016 PARABOLA L/R (Stand 21.12.2016)

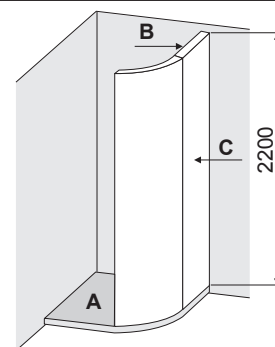
Parabola L



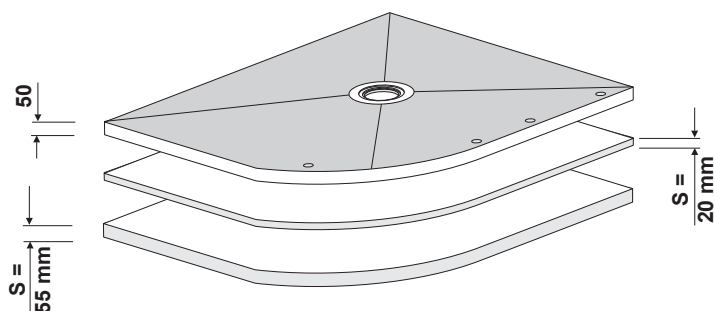
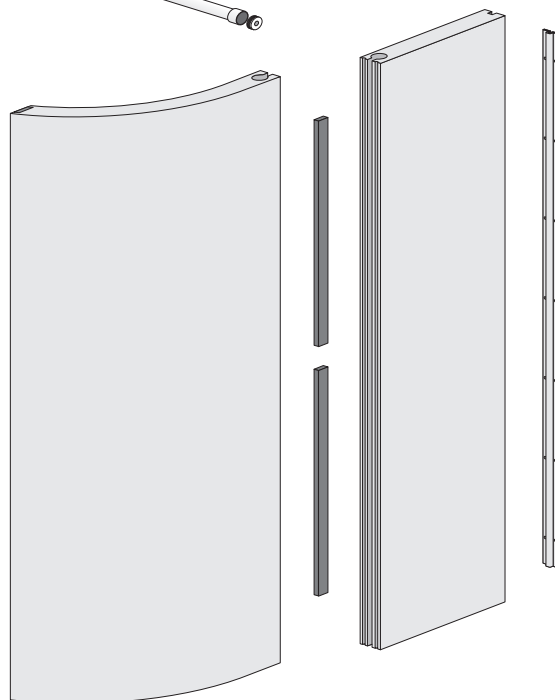
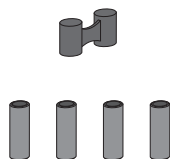
Parabola R



A = 1,1 m²
B = 3,3 m²
C = 3,5 m²

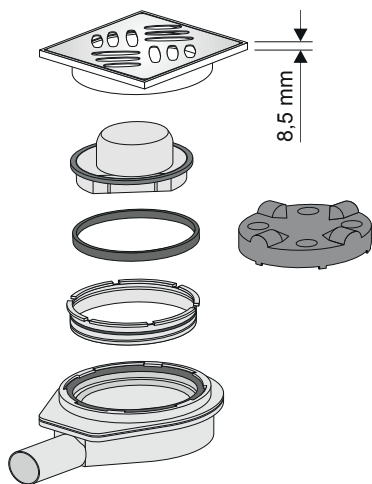


1 x



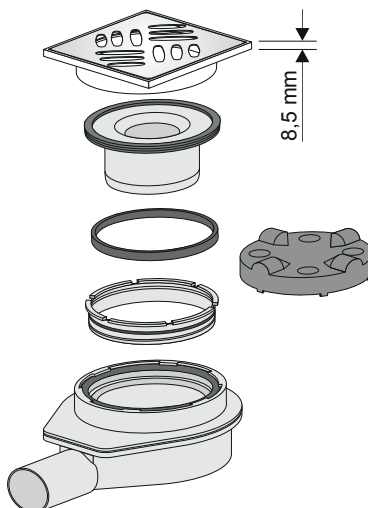
SKR32104

A s = 40 mm



SKR32102

B s = 55 mm



SKR32100

C

